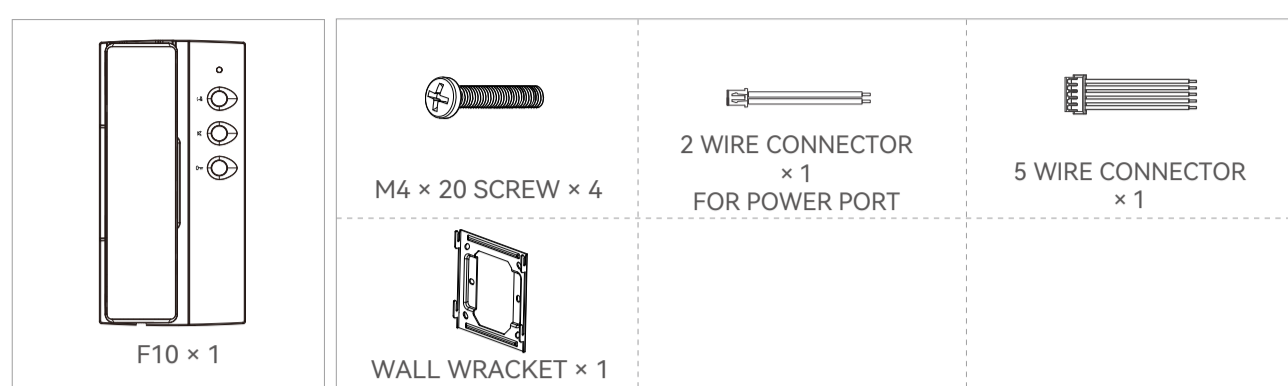
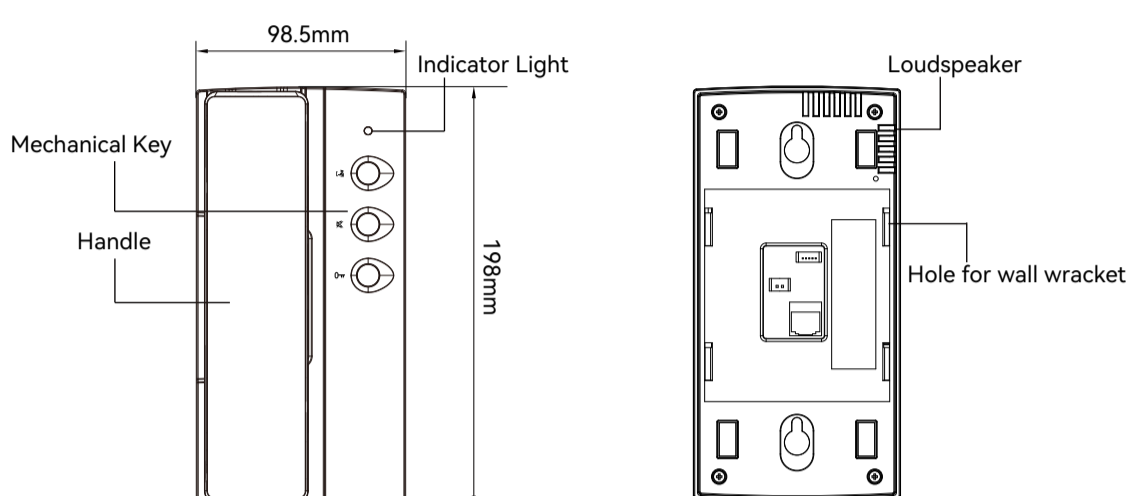


## Unpacking

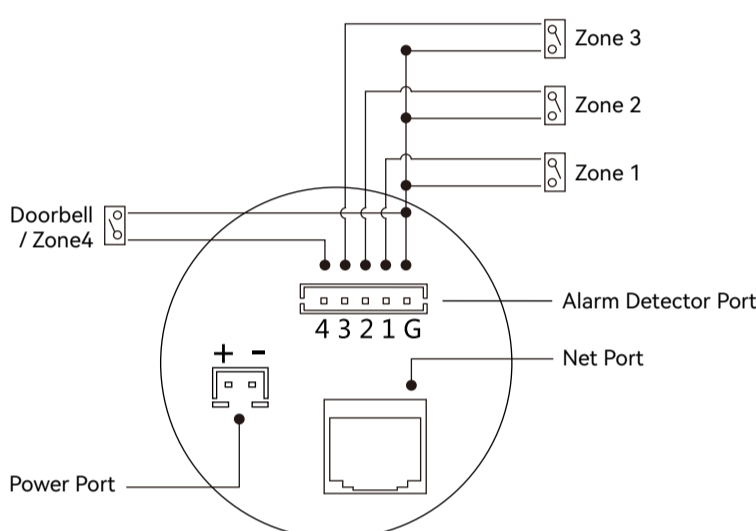
Please make sure the main package and the accessory package contain the following items :



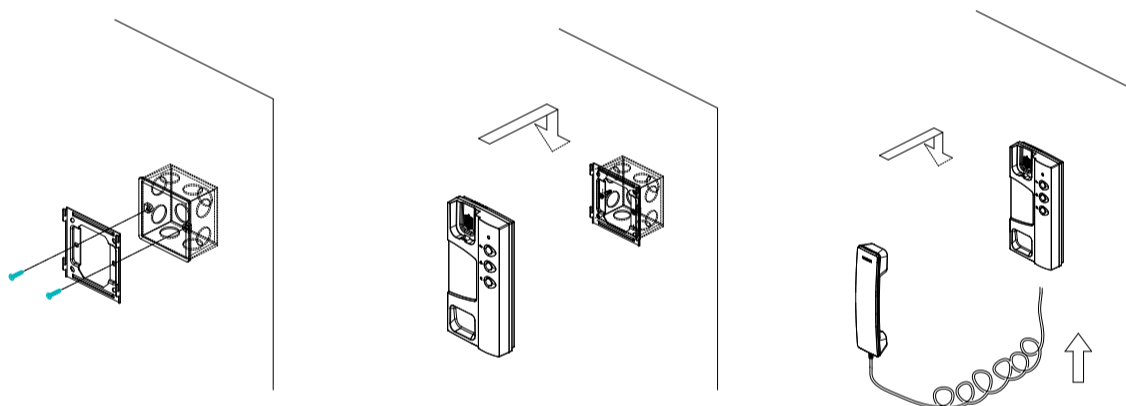
## Product overview



## Terminal and Wiring



## Installation



- Lock the wall wracket on the junction box with screws.
- Hang the base of the machine on the wall wracket.
- Insert the handle wire into the base of the machine, hang the handle on the base.

## Support Model Type

Model	Description
EH-IS-F10-EN2	White, Handle answer

## Configuration

- Enter the web configuration of the device with <http://IP/> (default username/password:admin/111666).

### Network/Address:

- IP Address Set: Set the IP Address data.
- Subnet Mask Set: Set the Subnet Mask data.
- Gateway Set: Set the Gateway data.
- DNS Set: Set the DNS data.
- Device NO. Set: Set the device number data.

## Operation

### Make a call:

Press the mechanical key to call Guard Station.

### Receive a call:

Pick up the handle to answer.

### Unlock:

Press the key to unlock the lock1 and long press this key for more than 2S to unlock the lock2 in ring status or intercom status.

Pick up the handle, press this key to unlock the lock1 and long press this key for more than 2S to unlock the lock2 in the standby status.

### Notice Information

Information contained in this document is believed to be accurate and reliable at the time of printing. The document is subject to change without notice, any update to this document can be viewed on Leelen's website.

<https://www.global-leelen.com/>  
Copyright © 2022 Xiamen Leelen Technology Co.,Ltd.  
All Rights Reserved.